

Eoslift

Scissor Lift Pallet Truck

110/15



Eoslift

Eoslift Automation Technology Corp.
No.99, Yanjia Road, Yuantong Town, Haiyan, Zhejiang
Province, China 314317
Tel: +86 573 8622 9999
Fax: +86 573 8622 2900
info@eoslift.com
www.eoslift.com

Hotline: 400-626-9090

Eoslift USA Corporation
1590 S. Milliken Avenue, Unit H, Ontario, California 91761
Tel: +1-888-264-5008
Fax: +1-781-780-5915
sales@eoslift.us
www.eoslift.us

Product features



Ideal for various applications

- Suitable for handling skids and open-bottom containers
- Designed to load and unload goods in feed printing or punch presses
- A dynamic combination of pallet truck, table truck, and worktable

Reliable & Stable

- Single or double cast pump with durable valve cartridge
- Overload bypass valve impedes lifting of loads beyond the rated capacity
- Top-of-stroke bypass secures the hydraulic system
- The control lever automatically returns to neutral when released from the lower position

Safety & Comfort

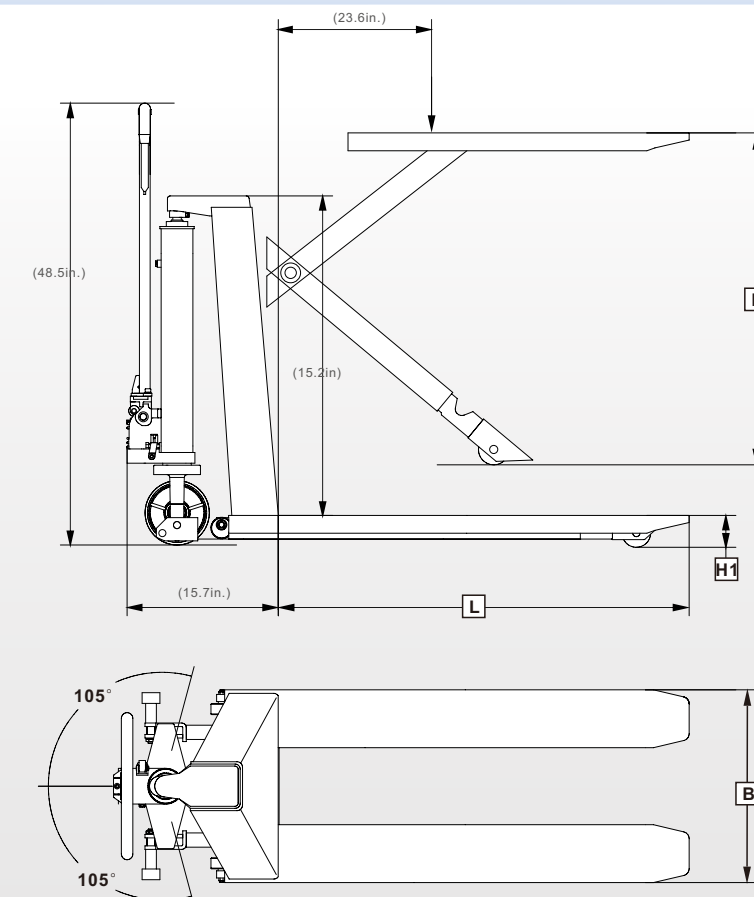
- Prevents undesirable bending and lifting to bring about strains and stresses on the body
- When loads are higher than 15.7", support legs automatically extend to restrain truck movement

General Information

Model		110	110D	115D
Rated Capacity	l b.	2200	2200	3300
Load center	in.		23.6	
Service Weight	l b.	286	246	275

Size

Wheel material			PU	
Fork Spread	B in.	26.8	26.8	26.8
Fork Length	L in.	45.3	44.9	43.3
Lowered Fork Height	H1 in.		3.35	
Raised Fork Height	H in.		31.5	
Lift Height	in.		28.15	
Overall Length	in.		59	
Load wheel	in.		Φ2.95x1.97	
Steering wheel	in.	Φ7.09x1.97	Φ5.9x1.57	Φ5.9x1.57
Steering Angle	degree		185°	
Fork width	in.		6.38	
Ground Clearance	in.		0.71	



* The manufacturer has the right to change the design and specification of products. The improvement of technical parameter or configuration will be amended at any time without prior notice.*